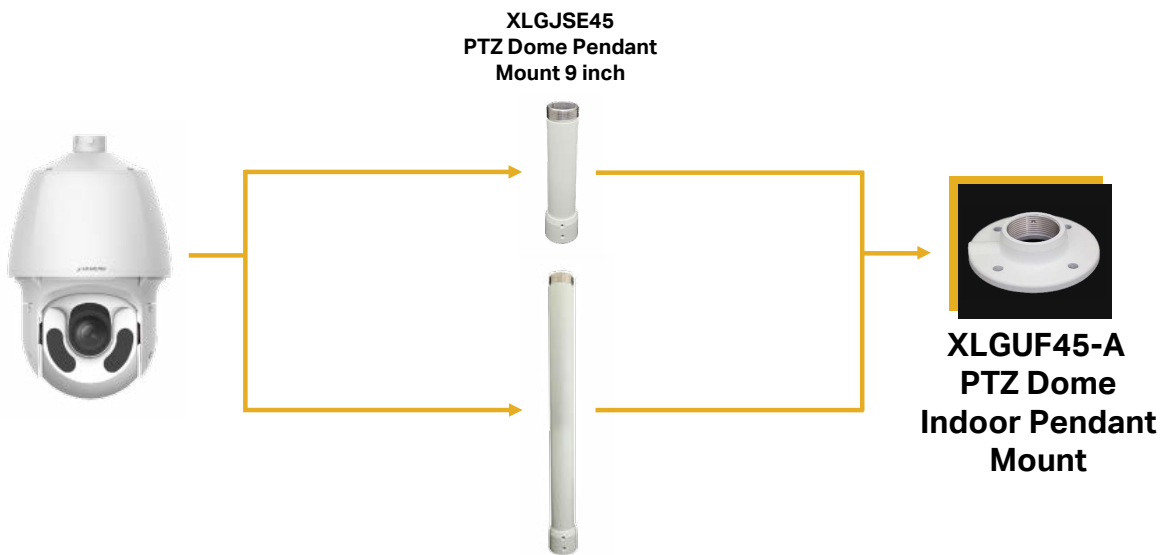


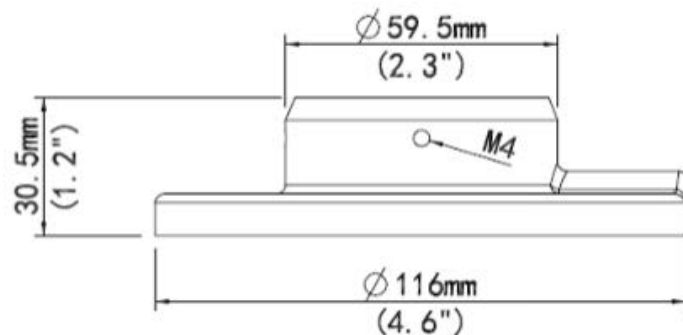
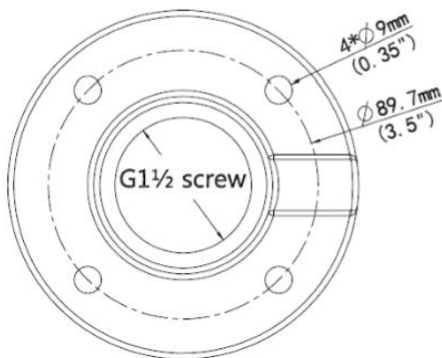
Bracket	
Application	Indoor, PTZ pendant installation
Dimensions	Ø116 x 30.5mm
Weight	0.3kg
Material	Aluminum alloy



Used for:
INLGDO4PTZ25X; INLGDO4PTZ33X



XLGJB07WM03-F
Wall Mount & Junction Box



*Design and specifications are subjects to change without notice.